

Technical Specification

Category: Welford

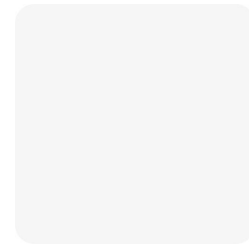
Part Number: 420542-H3-MW

Description: Welford Tubulaire 5ft 65W 5000K IP67 Frosted 70mm
HO Emergency & Microwave



Product Features:

- Ideal for harsh environments
- IP67 & IK10 rated
- Full polycarbonate throughout
- High output emergency option available
- Microwave option available



General information:

Wattage (W)	65
Lumens (lm)	7800
Efficacy (lm/W)	120
Colour Temperature (K)	5000
IP Rating	67
IK Rating	10
Class Rating	1
Energy Rating	E
Flicker	Flicker Free
Dimmable	Fixed
L70 Hours	50000

Technical information:

Application Location	Internal
Emergency Output (lm)	500
Beam Angle	120
CRI	80
Input Type	220-240V AC
Driver Type	CC
Operating Temperature To	30
Product Warranty (Years)	5
Driver Brand	Boke
Socket	N/A
Frequency (Hz)	50 60
Diffuser Material	Polycarbonate
Install Options	BESA/Conduit
Install Type	Push Fit Terminal
Replaceable Driver	Professional
Replaceable LED	Professional
Body Material	Polycarbonate
Maintained	Maintained/Non-Maintained
Emergency Wattage (W)	3.0
Emergency IP Rating	20
Cell Type	IFR26650 - LiFePO4
Capacity (mAh)	3600
Recharge Time (Hours)	24
Emergency Duration (Hours)	3
Emergency Output (Standalone lm)	500
Charge Current (mA)	300
Battery Size (V/Ah)	6.4 / 3.6
Battery Temperature (To) (°C)	30

Technical Specification

Category: Welford

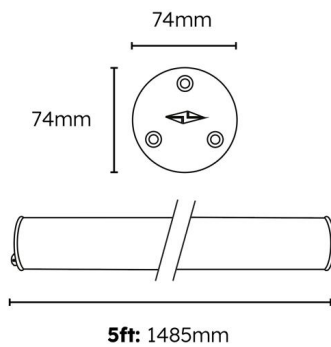
Part Number: 420542-H3-MW

Description: Welford Tubulaire 5ft 65W 5000K IP67 Frosted 70mm
HO Emergency & Microwave



Technical information:

Sensor Technology	Microwave
Sensor Type	On-Off
Max. Mounting Height (m)	6
Hold Time	5s / 30s / 90s / 5min / 20min / 30min
Detection Radius	12 x 6
Standby Power	1.0
Standalone/Grouping	Standalone



Compatible Products:



430351

Covenham/Welford Tubulaire
Stainless Bracket Kit (Pair)



420557

Welford Tubulaire
Polycarbonate kit (Pair)