

# Technical Specification

**Category:** Welford

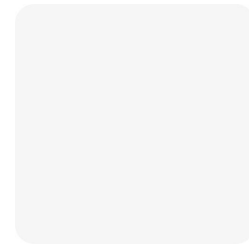
**Part Number:** 420542-H3

**Description:** Welford Tubulaire 5ft 65W 5000K IP67 Frosted 70mm  
HO Emergency



## Product Features:

- Ideal for harsh environments
- IP67 & IK10 rated
- Full polycarbonate throughout
- High output emergency option available
- Microwave option available



## General information:

Wattage (W)	65
Lumens (lm)	7800
Efficacy (lm/W)	120
Colour Temperature (K)	5000
IP Rating	67
IK Rating	10
Class Rating	1
Energy Rating	E
Flicker	Flicker Free
Dimmable	Fixed
L70 Hours	50000

## Technical information:

Application Location	Internal
Emergency Output (lm)	500
Beam Angle	120
CRI	80
Input Type	220-240V AC
Driver Type	CC
Operating Temperature To	30
Product Warranty (Years)	5
Driver Brand	Boke
Socket	N/A
Frequency (Hz)	50   60
Diffuser Material	Polycarbonate
Install Options	BESA/Conduit
Install Type	Push Fit Terminal
Replaceable Driver	Professional
Replaceable LED	Professional
Body Material	Polycarbonate
Maintained	Maintained/Non-Maintained
Emergency Wattage (W)	3.0
Emergency IP Rating	20
Cell Type	IFR26650 - LiFePO4
Capacity (mAh)	3600
Recharge Time (Hours)	24
Emergency Duration (Hours)	3
Emergency Output (Standalone lm)	500
Charge Current (mA)	300
Battery Size (V/Ah)	6.4 / 3.6
Battery Temperature (To) (°C)	30

## Technical Specification

**Category:** Welford

**Part Number:** 420542-H3

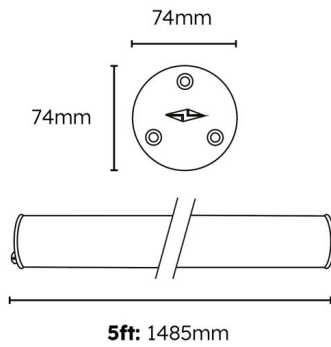
**Description:** Welford Tubulaire 5ft 65W 5000K IP67 Frosted 70mm  
HO Emergency



### Technical information:

Sensor Technology

Microwave



### Compatible Products:



430351

Covenham/Welford Tubulaire  
Stainless Bracket Kit (Pair)



420557

Welford Tubulaire  
Polycarbonate kit (Pair)