

# Technical Specification

**Category:** Sutton

**Part Number:** 430043

**Description:** Sutton Batten 6ft Twin 50W 4000K White



## Product Features:

- Frosted, ribbed polycarbonate diffuser to reduce glare
- Improved thermals utilising aluminium back PCBs
- H3 - High Output Emergency 440lm option available
- Additional screw to secure end cap
- Push-fit terminals
- 20mm conduit entry



## General information:

Wattage (W)	50
Lumens (lm)	8000
Efficacy (lm/W)	160
Colour Temperature (K)	4000
IP Rating	20
IK Rating	6
Class Rating	1
Energy Rating	B
Flicker	Flicker Free
Dimmable	Fixed
L70 Hours	50000
Paint Finish (RAL)	9003

## Technical information:

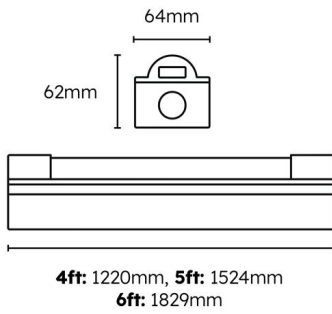
Application Location	Internal
Beam Angle	120
CRI	80
Input Type	220-240V AC
Driver Type	CC
Operating Temperature To	40
Product Warranty (Years)	5
Driver Brand	Lifud
Socket	N/A
Frequency (Hz)	50   60
Diffuser Material	Polycarbonate
Install Options	BESA/Conduit
Install Type	Push Fit Terminal
Replaceable Driver	Professional
Replaceable LED	Professional
Body Material	Steel
Maintained	Maintained/Non-Maintained
Sensor Technology	Microwave

# Technical Specification

**Category:** Sutton

**Part Number:** 430043

**Description:** Sutton Batten 6ft Twin 50W 4000K White



## Compatible Products:



401752

Alwen ON/OFF PIR External  
Mount White (Batten)

401755

Alwen ON/OFF PIR Remote  
(Batten)