

Technical Specification

Category: Sutton Plus

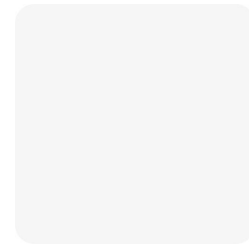
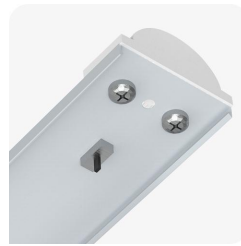
Part Number: 430396-PIR

Description: Sutton Plus Batten 5ft Twin 50W 2CCT 4K/6K White
Integral PIR



Product Features:

- Frosted, ribbed polycarbonate diffuser to reduce glare
- Improved thermals utilising aluminium back PCBs
- Push-fit terminals
- 20mm conduit entry
- Additional screw to secure end cap
- H3 - High Output Emergency 440lm option available



General information:

Wattage (W)	50
Lumens (lm)	6500
Efficacy (lm/W)	130
Colour Temperature (K)	4000 / 6000
CCT	2CCT
IP Rating	20
IK Rating	6
Class Rating	1
Energy Rating	C
Flicker	Flicker Free
Dimmable	Fixed
L70 Hours	50000
Paint Finish (RAL)	9003

Technical information:

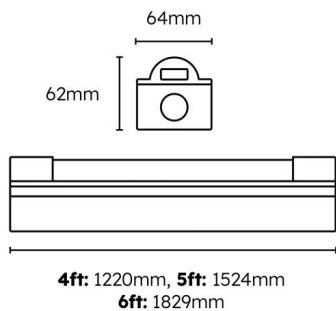
Application Location	Internal
Beam Angle	120
CRI	80
Input Type	220-240V AC
Driver Type	CC
Operating Temperature To	40
Product Warranty (Years)	5
Driver Brand	Lifud
Socket	N/A
Frequency (Hz)	50 60
Diffuser Material	Polycarbonate
Install Options	BESA/Conduit
Install Type	Push Fit Terminal
Replaceable Driver	Professional
Replaceable LED	Professional
Body Material	Steel
Maintained	Maintained/Non-Maintained
Sensor Technology	PIR
Sensor Type	On-Off
Max. Mounting Height (m)	4
Hold Time	6s / 3min / 5min / 8min
Detection Radius	8
Standby Power	1.0
Standalone/Grouping	Standalone

Technical Specification

Category: Sutton Plus

Part Number: 430396-PIR

Description: Sutton Plus Batten 5ft Twin 50W 2CCT 4K/6K White
Integral PIR



4ft: 1220mm, **5ft:** 1524mm
6ft: 1829mm