

# Technical Specification



**Category:** Foremark Single Wattage

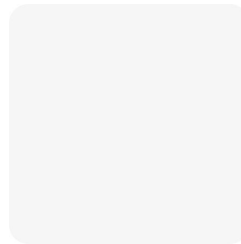
**Part Number:** 430735-90

**Description:** Foremark High Bay 200W 5000K IP65 90D Plug & Play (Zhaga)



## Product Features:

- Supplied with 1.5M prewired H05RN-F cable
- Sosen LED Driver
- 90° or 120° optic options
- Plug & Play Enabled – Sensors and Emergency



## General information:

|                        |          |
|------------------------|----------|
| Wattage (W)            | 200      |
| Lumens (lm)            | 29000    |
| Efficacy (lm/W)        | 145      |
| Colour Temperature (K) | 5000     |
| IP Rating              | 65       |
| IK Rating              | 8        |
| Class Rating           | 1        |
| Energy Rating          | C        |
| Dimmable               | truSmart |
| L70 Hours              | 60000    |
| Paint Finish (RAL)     | 9017     |

## Technical information:

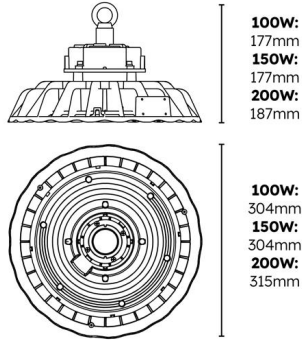
|                            |                           |
|----------------------------|---------------------------|
| Application Location       | Internal                  |
| Emergency Output (lm)      | 650                       |
| Beam Angle                 | 90                        |
| Optics                     | Symmetric                 |
| CRI                        | 80                        |
| Input Type                 | 120-240V AC               |
| Driver Type                | CC                        |
| Operating Temperature From | -30                       |
| Operating Temperature To   | 50                        |
| Product Warranty (Years)   | 5                         |
| Driver Brand               | Sosen                     |
| Socket                     | Zhaga                     |
| Frequency (Hz)             | 50   60                   |
| Diffuser Material          | Polycarbonate             |
| Install Options            | BESA/Conduit              |
| Install Type               | 1.5m H05RN-F              |
| Replaceable Driver         | Professional              |
| Replaceable LED            | Professional              |
| Body Material              | Aluminium                 |
| Maintained                 | Maintained/Non-Maintained |
| Sensor Technology          | Microwave                 |

# Technical Specification

**Category:** Foremark Single Wattage

**Part Number:** 430735-90

**Description:** Foremark High Bay 200W 5000K IP65 90D Plug & Play (Zhaga)



## Compatible Products:



401754

Alwen PIR Highbay Remote



430569

Alwen Plug & Play 12V Microwave Sensor 12M Black (Zhaga)



430568

Alwen Plug & Play 12V PIR Sensor Black (Zhaga)



401063

Foremark (All Wattages) & Meadley 200W PC Diffuser With Cover



430341

Foremark Adjustable Bracket 3 Part



430965-R2

Grafham 4W E-SEL3 High Bay Emergency Conversion Pack 20-55V DC 100mA LifePO4 6.4V DC 3.6Ah Plug & Play with Jack Leads



431173

Universal High Bay Rotatable Bracket



430625

truSmart Crown Zhaga Plug & Play 12V PIR Sensor Black