

Technical Specification

Category: Foremark Plus Wattage Selectable

Part Number: 421435-90

Description: Foremark High Bay

80W/100W/120W/160W/180W/200W 5000K IP66 Black Plug & Play
90D



Product Features:

- 6x Wattage Selectable via dip switch
- Supplied with 1M prewired HO5RN-F cable
- Plug & Play Enabled – Sensors and Emergency
- Sosen LED Driver
- IP66 & IK08 Rated
- 5 Year Product Warranty
- 200 lm/W



General information:

Wattage (W)	80W/100W/120W/160W/180W/200W
Lumens (lm)	16,000 / 20,000 / 24,000 / 32,000 / 36,000 / 40,000
Efficacy (lm/W)	200
Colour Temperature (K)	5000
IP Rating	66
IK Rating	10
Class Rating	1
Energy Rating	A
UGR	<25
L70 Hours	100000
L80 Hours	80000
L90 Hours	50000
Paint Finish (RAL)	9017

Technical information:

Application Location	Internal
Emergency Output (lm)	650
Beam Angle	90
Optics	Symmetric
CRI	80
Input Type	220-240V AC
Driver Type	CC
Operating Temperature From	-30
Operating Temperature To	50
Product Warranty (Years)	5
SDCM	5
Driver Brand	Sosen
Socket	Zhaga
Frequency (Hz)	50 60
Diffuser Material	Polycarbonate
Install Options	BESA/Conduit
Install Type	1.0m HO5RN-F
Replaceable Driver	Professional
Replaceable LED	Professional
Body Material	Aluminium

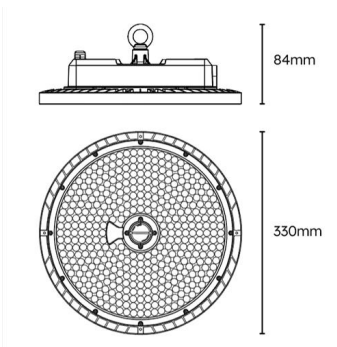
Technical Specification

Category: Foremark Plus Wattage Selectable

Part Number: 421435-90

Description: Foremark High Bay

80W/100W/120W/160W/180W/200W 5000K IP66 Black Plug & Play 90D



Compatible Products:



401754

Alwen PIR Highbay Remote



430569

Alwen Plug & Play 12V Microwave Sensor 12M Black (Zhaga)



430568

Alwen Plug & Play 12V PIR Sensor Black (Zhaga)



431206

Alwen Zhaga Plug & Play PIR Sensor 16M



430965

Grafham 4W E-SEL3 High Bay Emergency Conversion Pack 20-55V DC 100mA LifePO4 6.4V DC 3.6Ah Plug & Play



431430

Grafham 5W E-SEL3 High Bay Emergency Conversion Pack 20-30V DC 250mA LifePO4 6.4V DC 4.5Ah Plug & Play



430625

truSmart Crown Zhaga Plug & Play 12V PIR Sensor Black

Technical Specification

Category: Foremark Plus Wattage Selectable

Part Number: 421435-90

Description: Foremark High Bay

80W/100W/120W/160W/180W/200W 5000K IP66 Black Plug & Play
90D



Accessory Products:



421492

Highbay Aluminium Reflector
90D Large



421495

Highbay Polycarbonate
Reflector 90D Large



431173

Universal High Bay Rotatable
Bracket